

ELECTRIC MEAT GRINDER

MANUAL INSTRUCTION



CE

ELECTRIC MEAT GRINDER

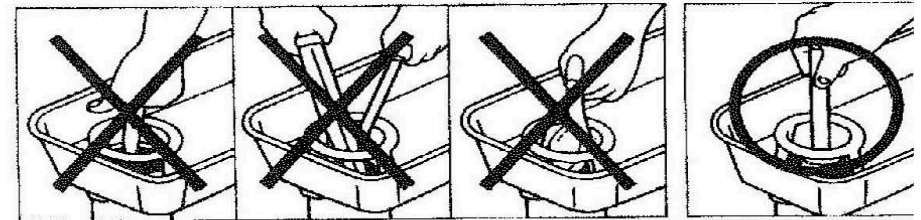
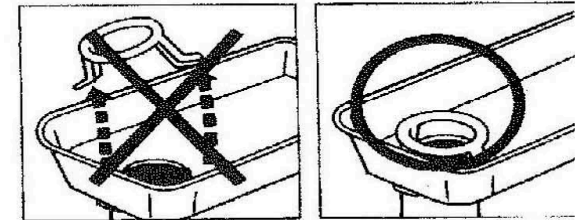
ACCESSORIES

PARTS LIST

- | | |
|---------------------|------------------|
| 1. 1/4" MESHPLATE | 19. NUT AND BOLT |
| 2. 3/8" MESHPLATE | 20. MEAT TRAY |
| 3. 1/2" MESHPLATE | 21. SAFETY GUARD |
| 4. 3/4" MESHPLATE | 22. WIRE |
| 5. THREE BLADE | 23. GEAR S |
| 6. TWO BLADE | 24. GEAR M |
| 7. FOUR BLADE | 25. GEAR L |
| 8. FIXED BOLT | 26. BEARING A |
| 9. FIXED BOLT | 27. RUBBER SEAL |
| 10. PESTLE | 28. BEARING B |
| 11. SAUSAGE FUNNEL | |
| 12. FIXED CAP | |
| 13. QUADRANGLE STUD | |
| 14. SCREW PROPELLER | |
| 15. RING | |
| 16. CHOPPER END | |
| 17. BASE | |
| 18. SWITCH | |

CAUTIONS :

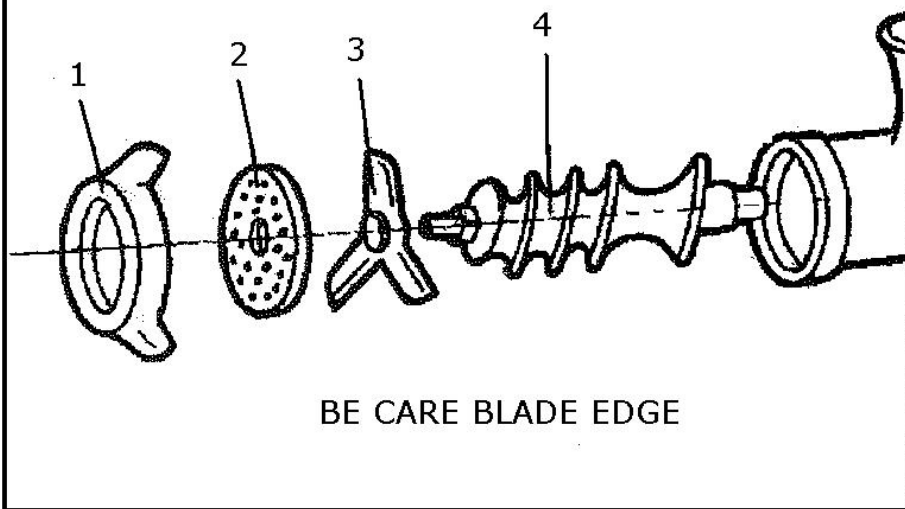
1. Do not remove safety ring form meat tray for security.
2. Never feed food by hand, fork, spoon or knife.
3. Must use pestle.
4. Never allow unskilled persons handle the grinder.
5. Be sure to install the grinder on the table and ensure adequate ventilation.
6. Be sure to match one blade with one plate without changing at random, no space should be left and machine will operate smoothly and quietly.



DISASSEMBLING :

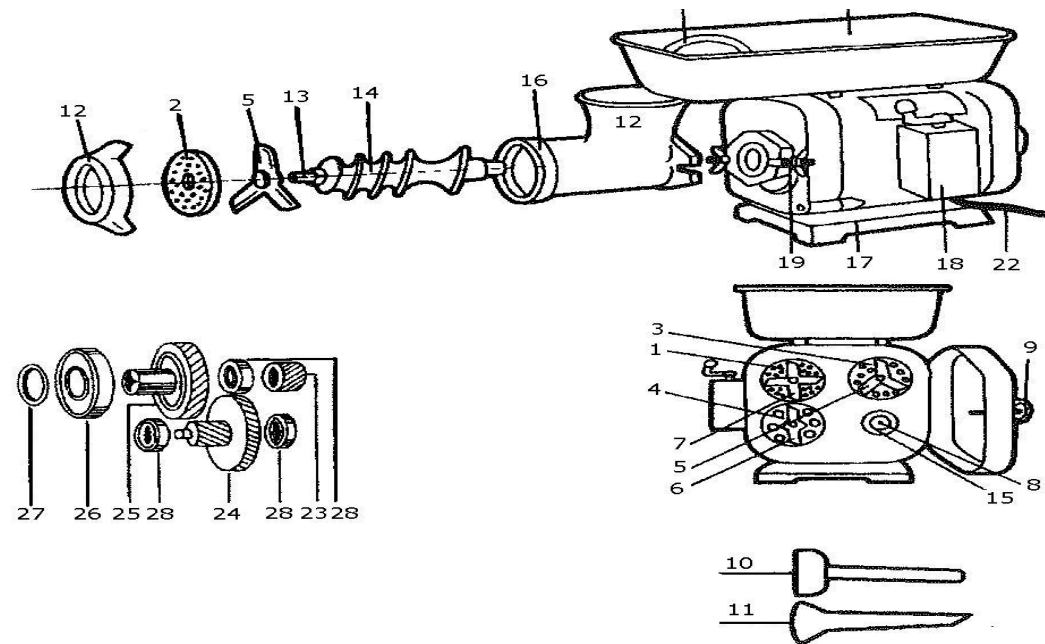
- * Be sure to remove power plug from power outlet after operation.
- * Loosen fixing screw (NO.19) ON both sides.
- * Remove parts in order as diagram shown and then chopper end be taken apart.
- * Keep parts dry after cleaning and assemble together in the reverse order.

order of removing:



STANDARD ACCESSORIES

1. SAUSAGE FUNNEL 1 PC
2. PESTLE 1 PC
3. MESHPLATE: 1/4", 3/8", 1/2" & 3/4" EACH 1 PC
4. BLADE: 2 BLADE : 1 PC.
3 BLADE : 2 PCS.
4 BLADE : 1 PC.
5. RING 2 PCS.



The conditions of problem and resolution:

A. When meat chopped out is in bad condition:

- i) Blade & mesh plate are out of balance or worn:
Replace one or both.
- ii) Blade mesh plate are worn out without jutting out of the opening of chopper end : remove chopper end and put a washer on the axle of motor.

B. Motor is unworkable:

- i) Noiseless
 - 1. Is fuse from power supply broken?
-Change a new one.
 - 2. Is there power?
-Check the power cable is not damaged.
-Replace a new one.
 - 3. Is motor burned up?
-Send to repair department.
- ii) Powerless
 - 1. Blade & mesh plate is worn out or uneven
-Need grinding or put a washer on axle of motor.
 - 2. Voltage is lowered and extension is too long or too thin.
-Send to qualified electrician.

iii) Motionless

- 1. Switch is worn out and cause bad contact.
-Change a new one.
- 2. Capacitor is burned out
-Change a new one.
- 3. Motor starter is burned out
-Send forth to repair department.

7. The instructions for use for mincers, where the required safety at the discharge outlets depends entirely on perforated discs provided with the appliance, shall contain a warning against use of perforated discs with oval shaped holes or holes of a greater diameter.
8. The appliance shall be accompanied by instructions detailing any special precautions necessary for installation.
9. Instructions for user maintenance, for example cleaning,
10. They shall include a statement that the appliance is not to be cleaned with a water jet.
11. For appliances that are permanently connected to fixed wiring.
12. If the supply cord is damaged, it must be replaced by the manufacturer, its service agent or similarly qualified persons in order to avoid a hazard.